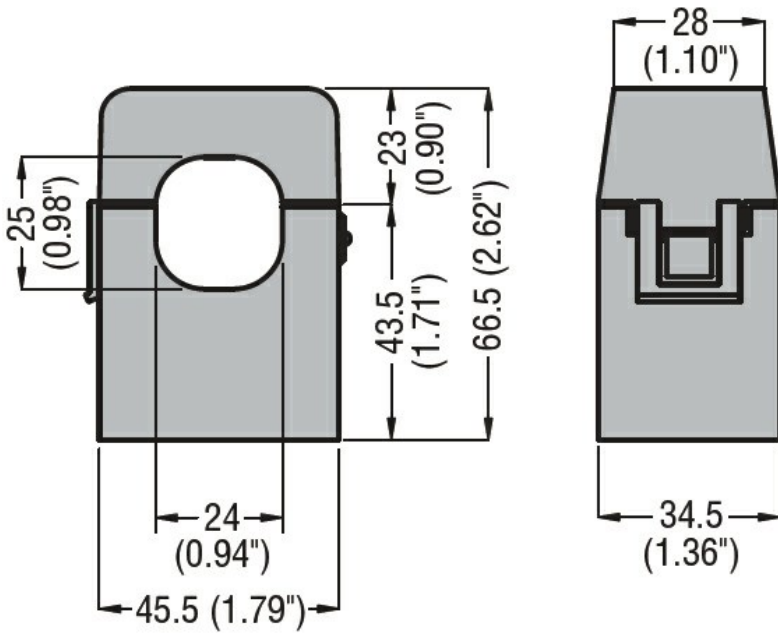




Product designation	Current transformers		
Product type designation	DM1TMA0200		
Auxiliary supply U_s			
Operational frequency	min	Hz	50
	max	Hz	60
Current inputs			
Primary current I_{pn} (/5)		A	200
Secondary output current		A	5
Overload withstand I_{pn}		%	120
Burden	cl. 1	VA	1
Insulations			
Rated insulation voltage U_i IEC/EN		V	720
IEC rated short-time thermal current I_{th}		I_{th} for s	40...60
IEC rated dynamic current I_{dyn}		I_{th} for s	2.5
Insulation dry type			Class E
Mechanical features			
Terminals type			2m pre-wired
Weight		g	200
Ambient conditions			
Temperature	Operating temperature		
	min	°C	-25
	max	°C	+50
	Storage temperature		
	min	°C	-40
	max	°C	+80
Relative humidity		%	90
Dimensions			



Certifications and compliance

Compliance

IEC/EN/BS 61869-1

IEC/EN/BS 61869-2

Certificates

EAC

GOST

ETIM classification

ETIM 8.0

EC002048 -
 Current
 transformer